

Company portrait MPS Ltd.

Manufacturing systems engineering

Produktion engineering

Service

Your service provider in mechanical engineering

Details to mps...



- ▶ MPS stands for mechanical engineering, production engineering and services
- ▶ Establishment in May 1998
- ▶ Chief executive is Holger Winnai
- ▶ Our service portfolio includes:
 - ▶ Services
 - ▶ Reconstruction, reconditioning and relocation of machines
 - ▶ Technical consulting
 - ▶ manufacturing and module assembly

Numbers, details and facts



- ▶ **Revenue:** 4.600.000 € in 2023
- ▶ **Employees:** 40
- ▶ **Quality:** Certification in accordance to DIN EN ISO 9001:2015
- ▶ **Locations:**
 - 71686 Remseck
Neckaraue 25 (headquarters)
 - 66914 Waldmohr
Industriestraße 1b (branch southwest)



Headquarters

71686 Remseck, Neckaraue 25



Branch Southwest

66914 Waldmohr, Industriestrasse 1b



Overview of our product and range of services



- ▶ **Complete reconstruction of production plant (area machining)**
- ▶ **Complete Reconditioning of available production plants (focus machining)**
- ▶ **Consulting support**
- ▶ **Preparation of expert report**
- ▶ **Engineering order planning, order processing**
- ▶ **Overall responsibility for location transfer**

Our product and range of services in detail



Complete Reconditioning of available production plants (main focus machining)

- ▶ Manufacture of special spare parts, if necessary (according to own construction or drawing template)
- ▶ Delivery
- ▶ Mounting
- ▶ Documentation
- ▶ Create acceptance report

Our product and range of services in detail



Consulting support

- ▶ For internal planning task to build up and/or relocation of new production capacity
- ▶ Efficiency analyze of available machines/Production lines (Area machining)

Preparation of expert report

- ▶ about productive operation available manufacturing plants
- ▶ Budget determination for reparation, preventive maintenance and new acquisition

Engineering order planning, order processing

- ▶ Technical purchasing execution and coordination
- ▶ Personal coordination for processing new machines and reconstruction.
- ▶ Order planning and scheduling for new machines and reconstruction.

Our product and range of services in detail



Overall responsibility for location shifting

- ▶ Individual plants
- ▶ Complete production lines
- ▶ Complete assembly plants

This package includes the following performance points:

- ▶ Solely responsible takeover of entire logistic transport, including the required vehicles, transportation equipment and insurance (if required)
- ▶ Coordination of qualified mounting personals and machines producers.
- ▶ Disposition of special vehicles, truck and mobile crane ect.
- ▶ Commissioning (mechanical, electrical) with machine capability inspection
- ▶ Purchase support of functional machines and plants.
- ▶ Dispose of machinery and equipment with evidence.

Performance example:

Capabilities truck with special trailer



Truck Mercedes-Benz Actros with special trailer for machine transports

With our equipment we conduct machine transports for you. Thereby you benefit from execution „one-stop“.

- crankable rear
- drivable ramp for 25 to
- inside height 3,10 m
- pluggable stanchion for the form fit for heavy load, frap boxes for heavy-duty chains



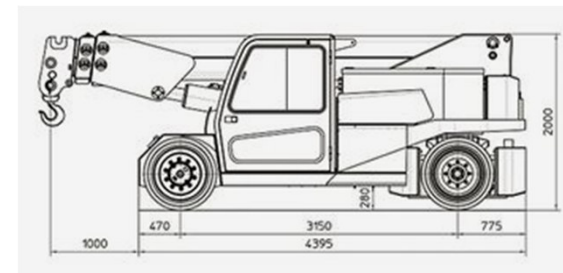
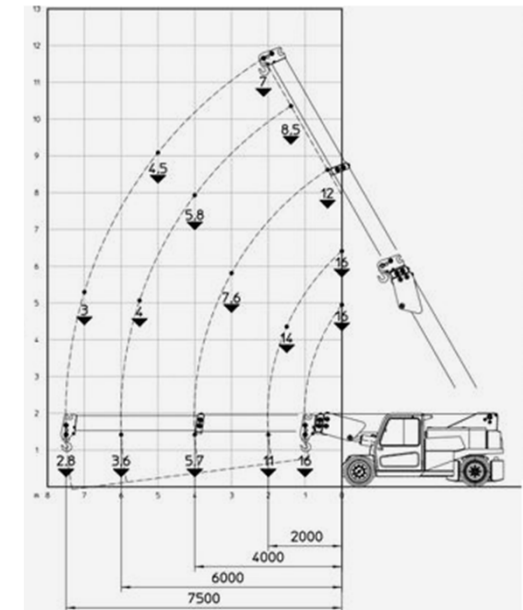
Performance example:

Capabilities cabin-controlled portable crane



Cabin-controlled portable crane JMG Cranes MC160

(carrying capacity max. 16 T)



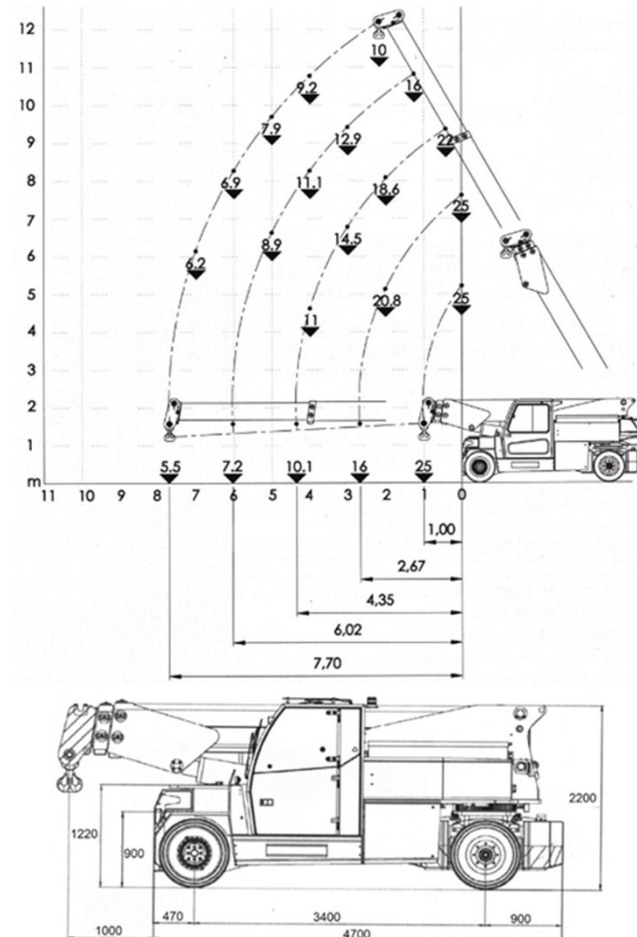
Performance example:

Capabilities cabin-controlled portable crane



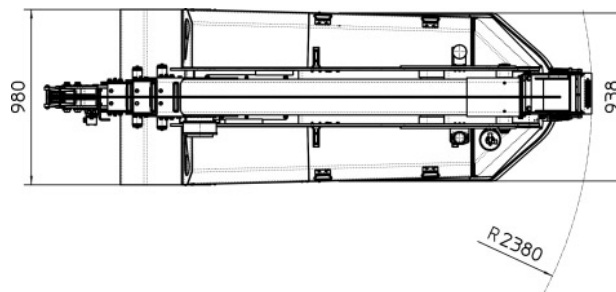
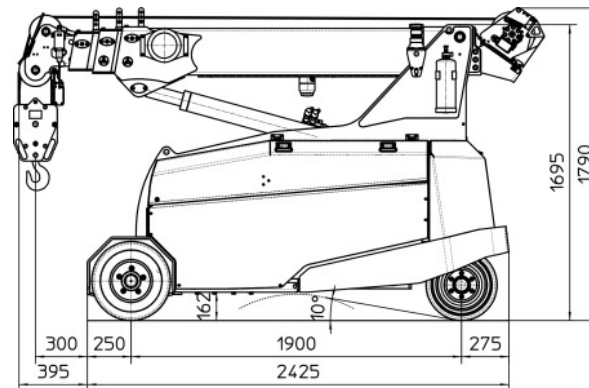
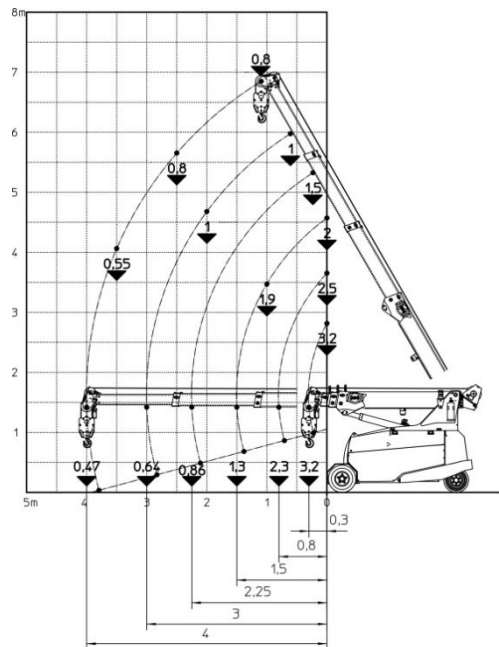
Cabin-controlled portable crane JMG Cranes MC250

(carrying capacity max. 25 t)



Performance example: Capabilities mini crane

Mini crane



Performance example:

Transfer and reconstruction flat head assembly



Performance example:

Deassembly and reassembly transfer processing



Deassembly and reassembly of a Mauser Krauseco transfer processing cylinder head preprocessing including implementing and machine capability inspection (MFU Cmk 1.67).



Performance example: Roboter programming

Disassembly and reassembly
with implementing a robot
cell with 150 tool holder.



Performance example:
Contribution 38 T press

Contribution of a 38 T press
with 60 T chassis.



Performance example:

Disassembly and Reassembly SMG press

Disassembly and Reassembly
with implementing of a 1300 T
stage press from SMG in
Hungary for a German client.



Performance example:

Disassembly and Reassembly machine facilities with robots



Disassembly and Reassembly of belt conveyor, linkings, robots und machine facilities, support trial operation, robots-programming for the commissioning or optimising.



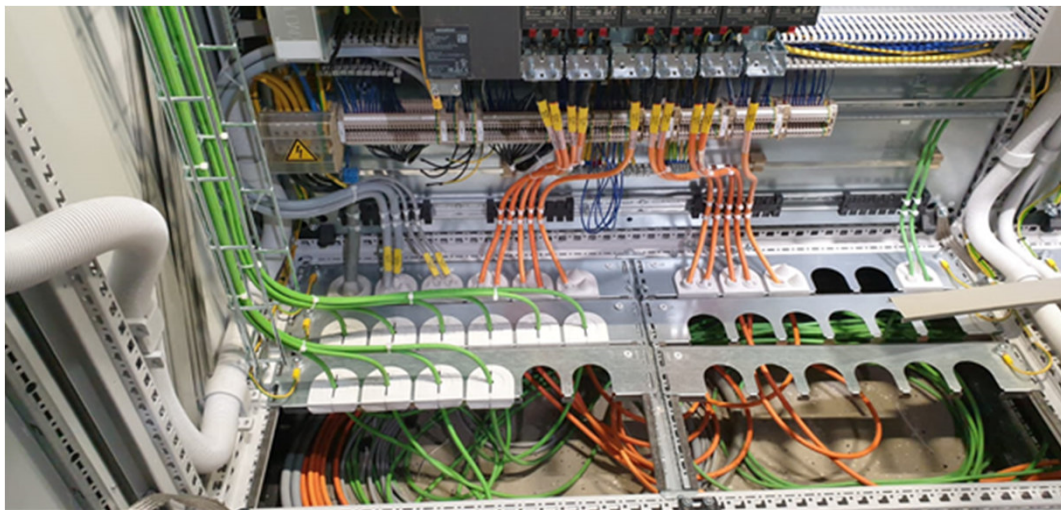
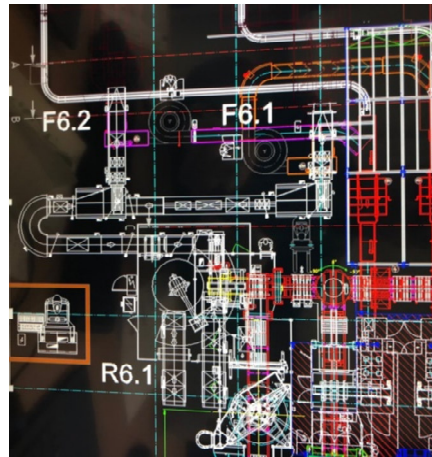
Performance example:

New assemblies accounting to CAD LAYOUT of Palletizing technology and Conveyor belt systems (mechanically, pneumatic, electric, including commissioning)



Worldwide assembly of:

Palletizing technology,
Conveyor belt systems in
Food- and Non-Food-area
for different customers



Performance example: Set-up factory infrastructure



Performance example:

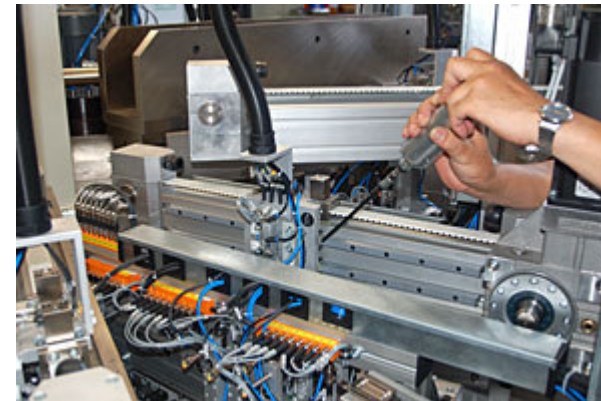
Maintenance and checks



Performance example: qualified employees for operations like:

Support maintenance, setup and installation of electrical und mechanical constructions:

- electrotechnology
- mechanics
- hydraulic systems
- pneumatics
- special purpose machinery manufacture, steel manufacture, ...



Checks and service:

- DGUV 3 (German social accident insurance, place-unchanging electrical devices)
- thermography
- crane DGUV 52
- stock facility DGUV Regel 108-007
- winch, liftig and drawing device DGUV 54
- others on request



Thank you for your attention!

MPS GmbH
Headquarters
Neckaraue 25
71686 Remseck

CEO Holger Winnai

Telefon +49 (0) 7146 / 87 30 - 40
Fax +49 (0) 7146 / 87 30 - 46

MPS GmbH
Branch Southwest:
Industriestr. 1 b
66914 Waldmohr

COO Peter Krämer

Telefon +49 (0) 6373 / 50883 - 0
Fax +49 (0) 6373 / 50883 - 29

E-Mail info@mps-remseck.de
Internet www.mps-remseck.de